

Linear
MOTIONEERING
Tools



Micron
MOTIONEERING



Product
Selectors



Interactive
3D Models



Precision
Ball Selector



Motioneering
Toolbar



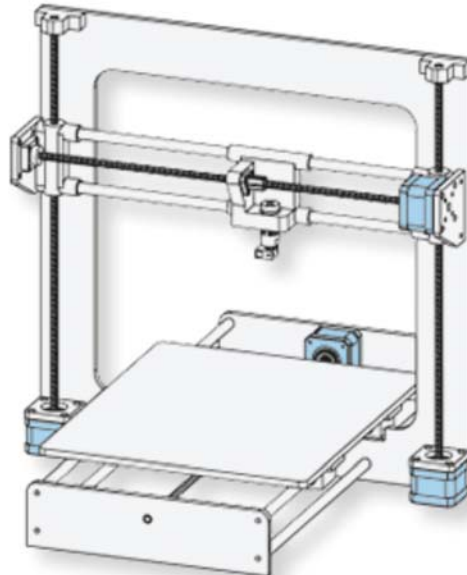
Thomson® Motorised Lead Screws Offer More Thrust, Smaller Footprint and Easier Maintenance

New Thomson motorised lead screws combine a hybrid stepper motor and a lead screw in a compact envelope.

The lead screws offer up to 30% more load capacity than comparable products, without increasing the installation footprint. Unlike traditional stepper motor and lead screw configurations, the new devices eliminate the drive coupling and an external bearing support, resulting in a much smaller footprint and needing fewer components.

They are available in rotating screw or nut configurations, with the former aimed at applications needing linear motion with external supports, while the latter targets applications with integrated anti-rotation.

Traditional lead screws with direct couplings are attached permanently to a motor, making them difficult to replace and maintain. Thomson's patent-pending Taper Lock technology allows quick connection and decoupling of the lead screw and motor.



Innovative 3D multi-axis printers are revolutionising rapid prototyping and consumer products. A printer equipped with Thomson's Motorised Lead Screws can achieve key design advantages.

[Learn more, see performance curves >](#)

[View more and detailed application examples >](#)

[+ education/events](#)



NEW: Thomson Tech Tips Video

Lubricating Linear Rails & Bearings.

All linear guides and bearings require the application of lubrication. Use a cloth with solvent to remove any old contaminants and lubrication that maybe in place. Once done, you can inject the lubricant through the grease fitting directly into the carriage or apply it directly to the shaft by hand.

Watch how to easily service linear bearings and rails:

Watch the video now >

+ applications/tools/products

Need some linear guidance?

Thomson 400 Series Profile Rail Linear Guides delivers an accurate, reliable transport-grade linear motion solution.

Ideal for cost-sensitive applications and suitable as a drop-in replacement with industry-standard envelope:

- Polymer ball-return tube reduces noise and vibration while retaining lubrication.
- Rails length up to 4 meters, in sizes 15 – 55 mm.
- Suitable for loads ranging from 9,800 N up to 178,900 N.

Our cut centre incorporates high tolerance machining capabilities, finishing and etching equipment dedicated to the customisation to the customer's specifications.

Part availability has been further addressed with the introduction of Kanban-controlled inventories.

Download free CAD models now >

Share via Social Media:



Share via email:

